

Lagerbock, Serie CS7

- Zylinderbefestigung nach VDMA 24562 Teil 2
- geeigneter Kolben-Ø 32, 40, 50, 63, 80, 100 mm
- mit sphärischem Gelenklager



Normen

VDMA 24562 Teil 2

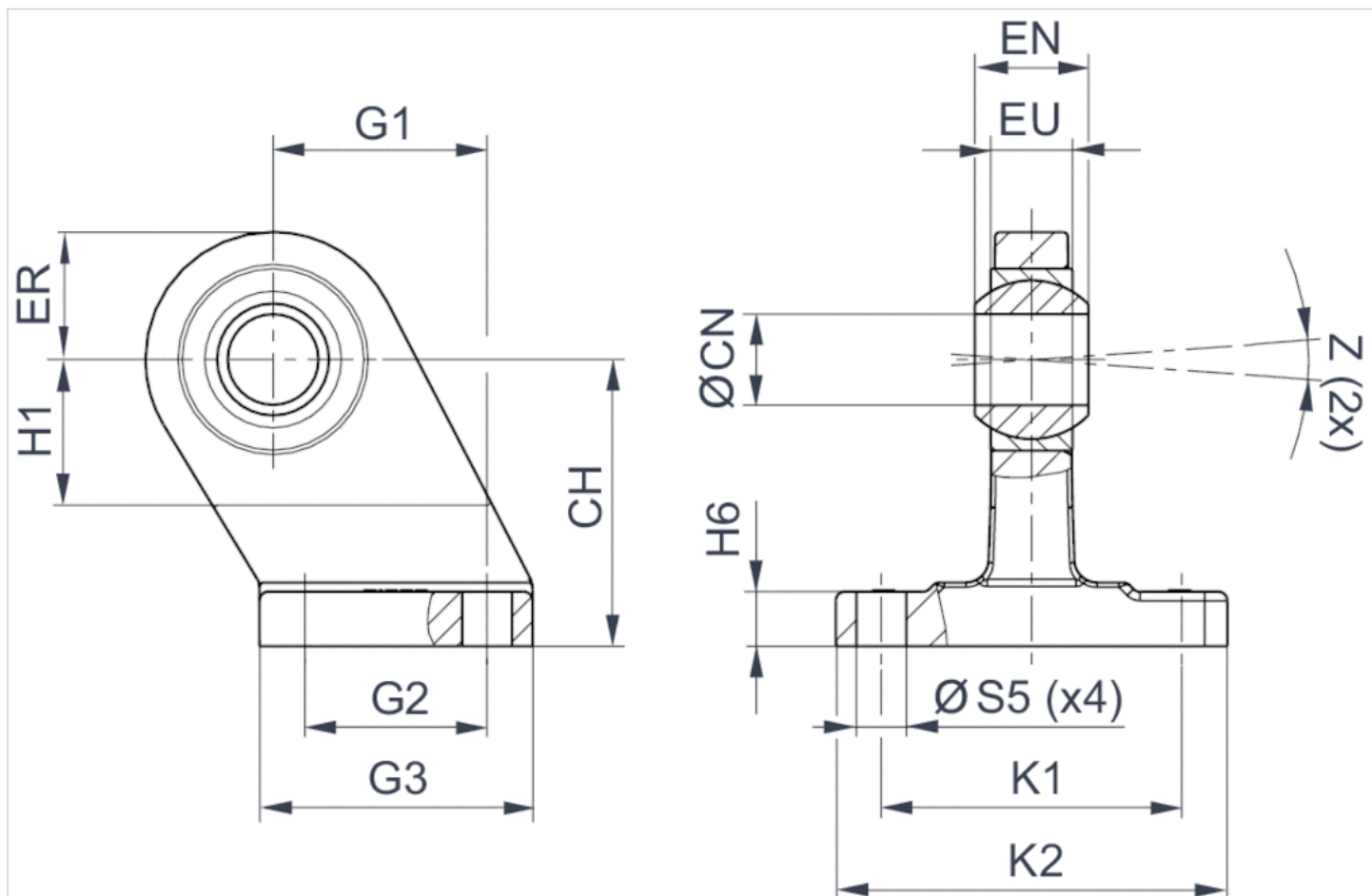
Technische Daten

| Materialnummer | Kolben-Ø | Bohrung-Ø CR |
|----------------|----------|--------------|
| 1827001784 | 32 mm | 10 mm |
| 1827001785 | 40 mm | 12 mm |
| 1827001786 | 50 mm | 16 mm |
| 1827001787 | 63 mm | 16 mm |
| 1827001788 | 80 mm | 20 mm |
| 1827001789 | 100 mm | 20 mm |

Technische Informationen

| Werkstoff | |
|-----------|----------------------------|
| Werkstoff | Gusseisen mit Kugelgraphit |
| | verzinkt |

Abmessungen



Abmessungen

| Materialnummer | Kolben-Ø | CHJS15 | ØCNH7 | EU 1) | EN-1,0 | ER 1) | G1JS14 | G2JS14 | G3 1) | H1 2) | H6 | K1JS14 | K2 1) | ØS5H13 |
|----------------|----------|--------|-------|-------|--------|-------|--------|--------|-------|-------|---------|--------|-------|--------|
| 1827001784 | 32 mm | 32 | 10 | 10.5 | 14 | 16 | 21 | 18 | 31 | 16 | 9 ±1 | 38 | 51 | 6.6 |
| 1827001785 | 40 mm | 36 | 12 | 12 | 16 | 18 | 24 | 22 | 35 | 20 | 9 ±1 | 41 | 54 | 6.6 |
| 1827001786 | 50 mm | 45 | 16 | 15 | 21 | 21 | 33 | 30 | 45 | 22 | 11 ±1 | 50 | 65 | 9 |
| 1827001787 | 63 mm | 50 | 16 | 15 | 21 | 23 | 37 | 35 | 50 | 27 | 11 ±1 | 52 | 67 | 9 |
| 1827001788 | 80 mm | 63 | 20 | 18 | 25 | 28 | 47 | 40 | 60 | 31 | 12 ±1,5 | 66 | 86 | 11 |
| 1827001789 | 100 mm | 71 | 20 | 18 | 25 | 30 | 55 | 50 | 70 | 38 | 13 ±1,5 | 76 | 96 | 11 |

| Materialnummer | Z 2) |
|----------------|------|
| 1827001784 | 4° |
| 1827001785 | 4° |
| 1827001786 | 4° |
| 1827001787 | 4° |
| 1827001788 | 4° |
| 1827001789 | 4° |

1) Max.

2) Min.